

## POWER CHAIR



### Standard features:

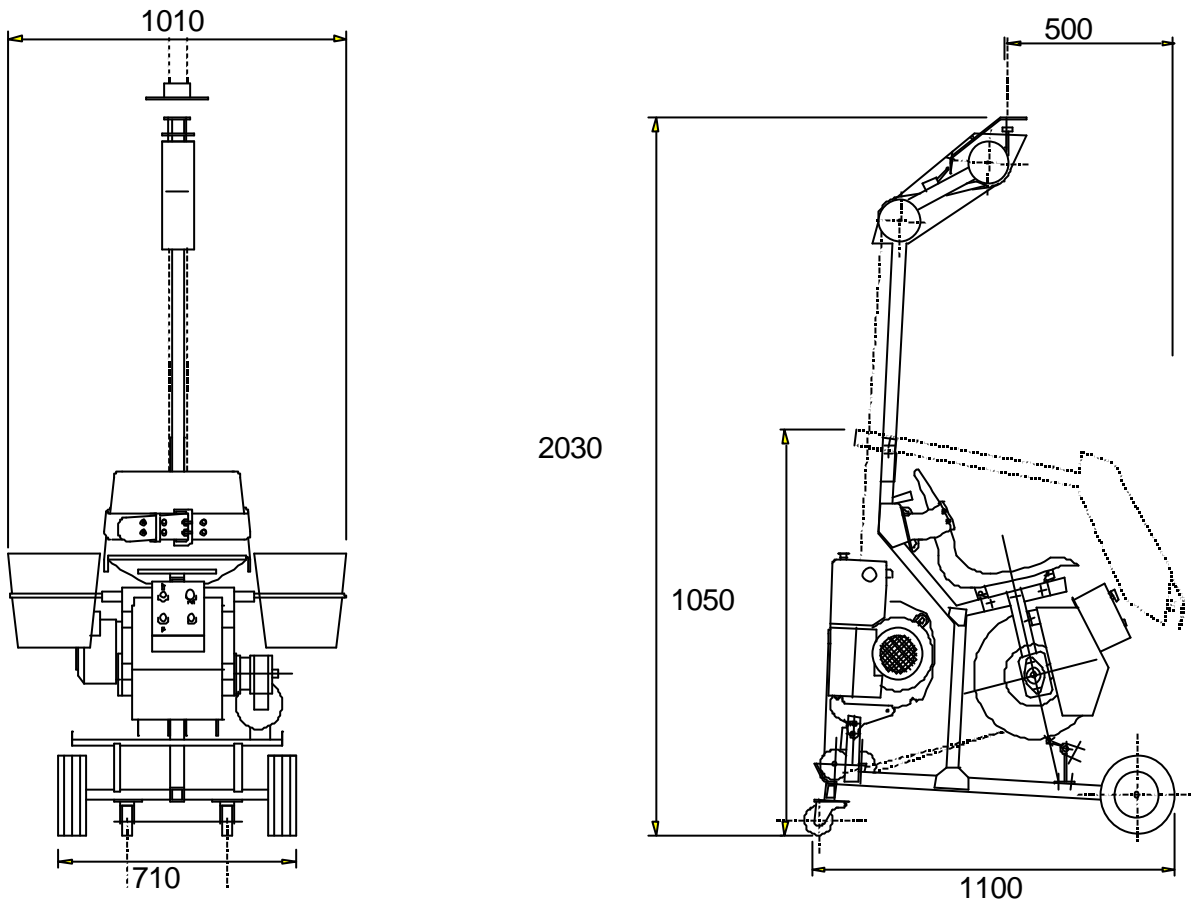
- Powered by Astro hoist
- Single phase and three phase versions
- **Two** built-in safeties with:
  - Slack rope safety device
  - Overspeed safety device with electric interlock
- Top limit switch
- 'No Power' emergency descent system
- Twin-drum wire winders up to 50m
- Hinged mast for easy storage
- Castor wheels
- Wall rollers
- Climbing speed: 8.5 m/min.
- Safety and suspension rope:  
Ø 8.4mm (52.3kN)
- Safety belt
- Buckets with removable supports

### Central Control Box:

- Hold to run 'up/down' operating buttons
- Emergency stop
- 'Power-on' indicator light
- Thermal protector for wire winder motor
- Phase Protection for three phase hoists

### Options

- Bottom limit trip bar
- Ultimate top limit switch
- Electro-mechanical overload
- Electrical interlock on slack rope safety device



Main Structure Steel: Painted Finish Standard Colour Grey (Ral 7001)

Self Weight (1)	100 kg
Rated load	120 kg

(1) Add 0.9 kg/m for steel wire rope and power supply

Ref.: 38262-01-A	Issue Date: 11-december-2001
POWER CLIMBER bvba Tel: +32-3-451.05.00 Fax: +32-3-451.05.01 E-mail: <a href="mailto:Info@PowerClimber.be">Info@PowerClimber.be</a>	POWER CLIMBER ASIA Ltd Tel: 852-2310.2855 Fax: 852-2745.0755 E-mail: <a href="mailto:Infopcal@PowerClimber.com.hk">Infopcal@PowerClimber.com.hk</a>
Website: <a href="http://www.PowerClimber.be">www.PowerClimber.be</a>	

*This document and all copies are property of Power Climber bvba. All dimensions and data are indicative only. The user must ensure that the equipment complies with local rules and regulations.*