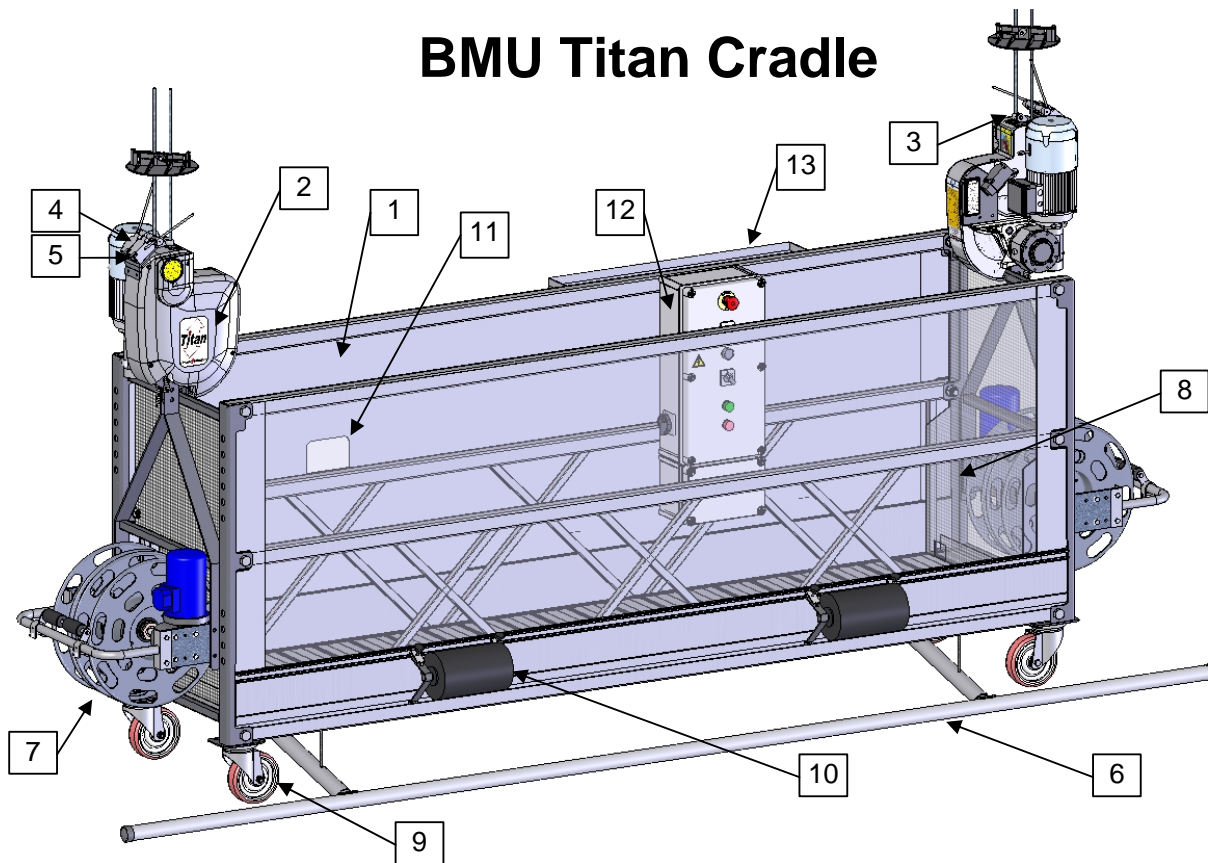


## BMU Titan Cradle



### Standard features

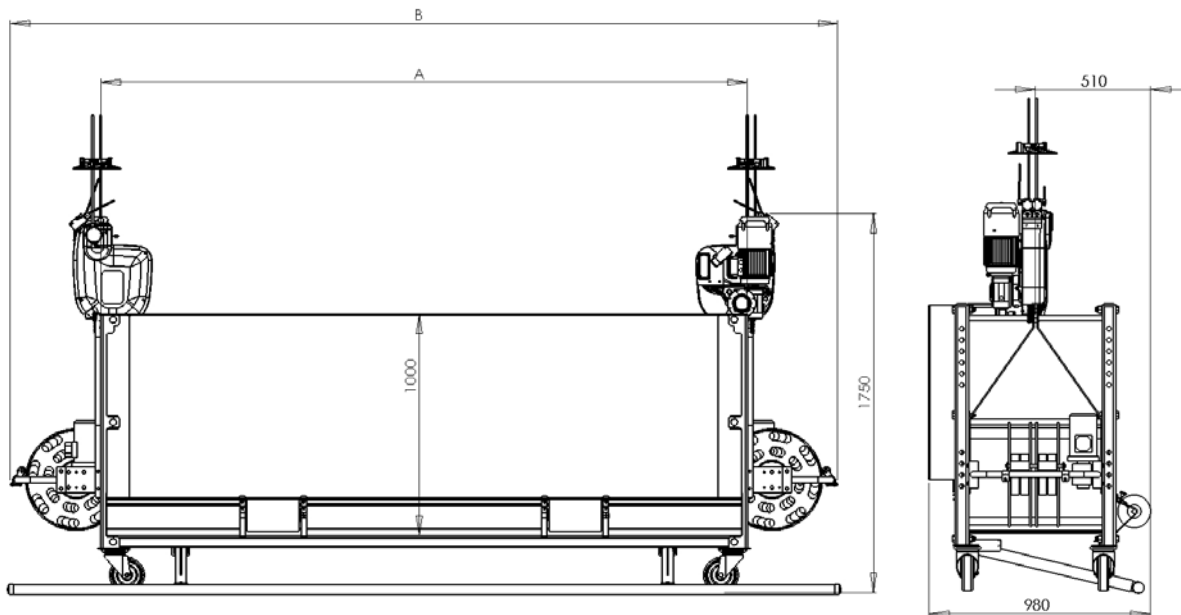
- Lightweight aluminium construction with lengths up to 8m.
- All-around solid plate aluminium cladding (1)
- Powered by TITAN-403 PI traction (2) hoist with:
  - Electro-mechanical overload detection device in series
  - Electro-mechanical service brake
  - 'No Power' emergency descent
  - Thermal protection in series
  - Slack rope safety device (3)
- Limit switches :
  - Top limit switch (4)
  - Ultimate top limit switch (5)
  - Mechanical anti-tilt device
  - Bottom limit trip bar (6)
- Twin-drum wire winders up to 125m (7)
- Internal cover over wire winder (8)
- Low-noise castor wheels Ø160mm (9)
- Non-marking soft wall rollers (10)
- CE-marked Safety harness attachment points
- Foot-steps on both sides for in/out. (11)

### Control Box (12)

- Up/down turn button
- Hoist selector switch
- Emergency stop
- Bottom trip bypass button
- Main power switch (lockable)
- Power ON indicator light
- Overload warning light
- Low voltage 48V control circuit
- Resettable main fuse
- Thermal protection hoist motors
- Fuses for protection of wire winder motor
- Automatic levelling
- Hourmeter
- Phase protector
- Main Power plug with phase reversal

### Optional

- Cable storage bin (13)
- Overspeed safety device
- Telescopic wall rollers
- Powder-coating painting (RAL colour)
- Controls for monorail trolleys
- Long drops up to 200m
- Special cradle lengths
- Other special options
- Other power supplies



Nominal length	2m	3m	4m	5m	6m	7m	8m
Distance between suspension ropes (A)	2057mm	2974mm	4108mm	5025mm	5942mm	7076mm	7993mm
Overall length (B)	2900mm	3820mm	4950mm	5870mm	6780mm	7920mm	8840mm
Self weight <sup>(1)</sup>	265kg	290kg	335kg	360kg	390kg	435kg	465kg

Safe Working Load (SWL)	250 kg
Number of persons	2
Climbing speed	8.5 m/min
Power supply	415V+Earth/3 phase/50Hz
Power Consumption	2.0 kW <sup>(2)</sup>
Hoist capacity (WLL)	400kg
Suspension and Safety rope	Ø 8.4 mm <sup>(3)</sup>
Electrical supply cable	4x1.5mm <sup>2</sup> , 3 phase +Earth <sup>(4)</sup>

### Notes

- <sup>(1)</sup> Self-weight without steel wire rope and power supply cable. Add 1.35 kg/m for ropes and cable.
- <sup>(2)</sup> Power consumption at rated load
- <sup>(3)</sup> Breaking load 52.3 kN
- <sup>(4)</sup> For electrical cable lengths >80m use 4x2.5mm<sup>2</sup>

Ref.: 38216-01	Issue Date: 15-November-2007
POWER CLIMBER bvba Tel: +32-3-451.05.00 Fax: +32-3-451.05.01 E-mail: <a href="mailto:Info@PowerClimber.be">Info@PowerClimber.be</a>	
Website: <a href="http://www.PowerClimber.be">www.PowerClimber.be</a>	

*This document and all copies are property of Power Climber bvba. All dimensions and data are indicative only. The user must ensure that the equipment complies with local rules and regulations.*