

# ASSEMBLY INSTRUCTIONS

## MODULO<sup>®</sup> PLATFORM

CONFORM TO EUROPEAN NORM  
EN 1808 – MARCH 1999  
MACHINE DIRECTIVE 89/37 EEC



### Manufacturer

**POWER CLIMBER B.V.B.A.**  
Satenrozen 7  
B- 2550 Kontich  
BELGIUM

**Website: [www.PowerClimber.be](http://www.PowerClimber.be)**  
**Tel: +32-3-451.05.00**  
**Fax: +32-3-451.05.01**  
**e-mail: [Info@PowerClimber.be](mailto:Info@PowerClimber.be)**

Reference: 38860-01 /  
38760-E

Issue date: 08-Jan-2002

Revision: C

Page: 1 of 11

---

**Contents**

**Contents**..... 2

**Overview** ..... 3

**Major dimensions** ..... 5

**Load table platform with end stirrups** ..... 5

**Load table platform with walk through stirrups**..... 6

**SafeFix pin system** ..... 7

**Mounting** ..... 8

    1) U-frames & side frames: ..... 8

    2) End-stirrup ..... 8

    3) Floor ..... 9

    4) Guard rails ..... 10

    5) Wall Rollers ..... 10

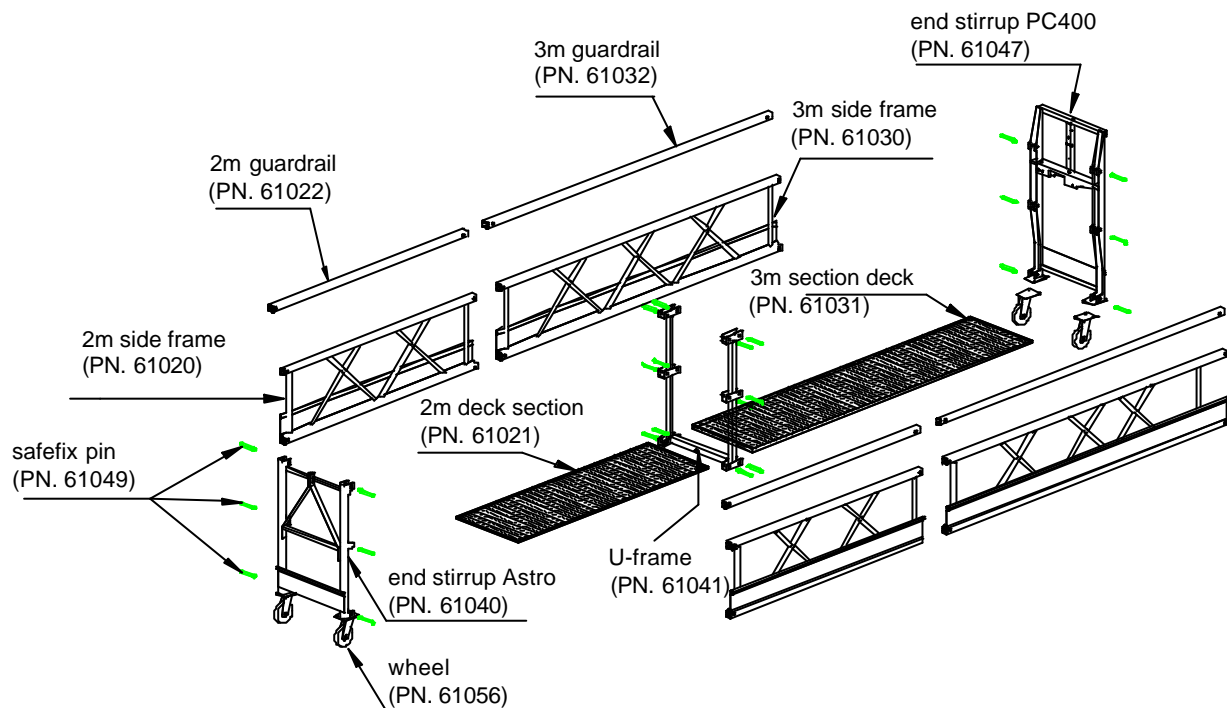
    6) Walk through stirrup ..... 11

Reference: 38860-01 / 38760-E	Issue date: 08-Jan-2002	Revision: C	Page: 2 of 11
----------------------------------	-------------------------	-------------	---------------

## Overview

The modular design of the MODULO® suspended platform allows you to modify the configuration of the standard components to obtain the size platform required. These components are secured together by using the patented SafeFix pin system.

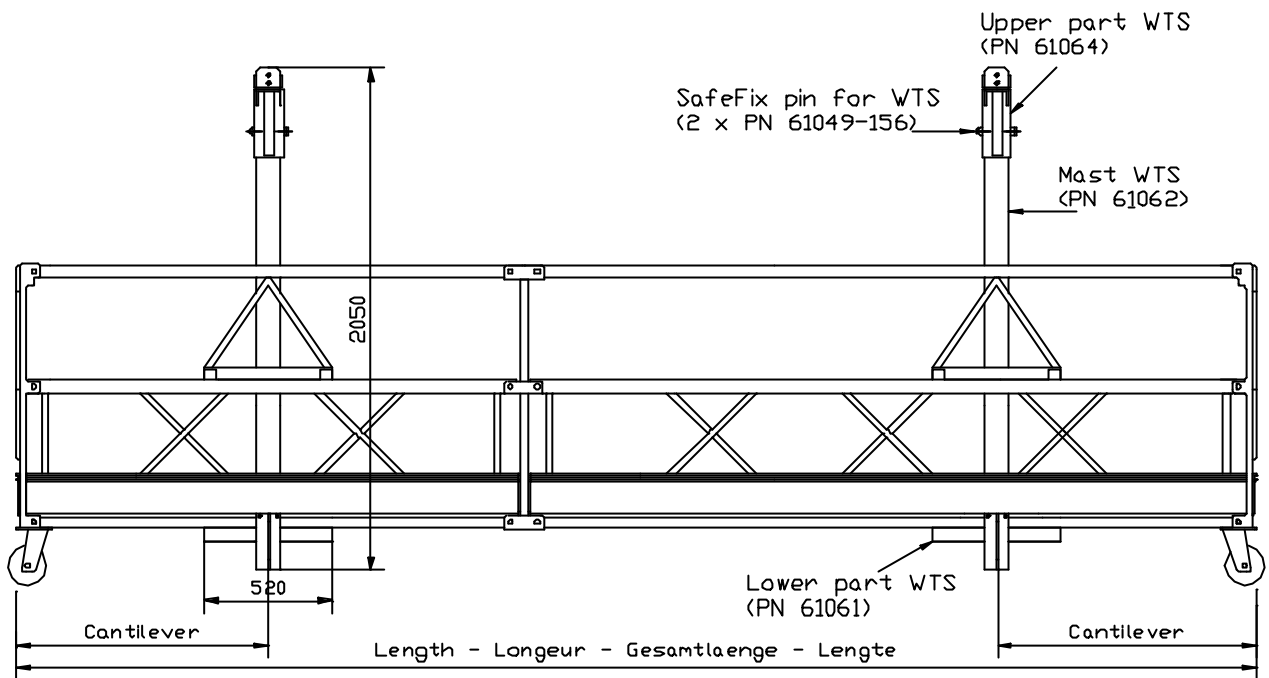
Exploded view of platform with end stirrups:



**Note:** Select the correct stirrup for use either with Astro or PC400/500 hoist.

Reference: 38860-01 / 38760-E	Issue date: 08-Jan-2002	Revision: C	Page: 3 of 11
----------------------------------	-------------------------	-------------	---------------

## Exploded view of platform with walk through stirrups: (WTS)



### Check before every use:

1. All pins have to be in horizontal (closed) position.
2. Check the condition of the SafeFix pins:
  - Pressure in horizontal (closed) position
  - Condition of the spring and spring holder
3. Check condition of all holes in de side frame, U-frame and stirrup.
4. Check the condition of the floor retainers. (2 springs in each side frame)

Guidelines for use of Astro-hoist, see manual 38701-E

Guidelines for use of PC400-hoist, see manual 38720-E

The cable retainers of the power supply have to be hooked onto the midrail or cross braces.

The lifeline (personal security) has to be hooked onto the midrail.

Wind restrictions at 12m/s.

Reference: 38860-01 / 38760-E	Issue date: 08-Jan-2002	Revision: C	Page: 4 of 11
----------------------------------	-------------------------	-------------	---------------



## Load table platform with walk through stirrups

				Hoist capacity (WLL)							
				600 kg				800 kg			
Length	Configuration	Min. Rope Center	Self-weight (without hoists)	Max. rated load	Max. no. of persons	Max. load per meter	Cantilever	Max. rated load	Max. no. of persons	Max. load per meter	Cantilever
(m)			(kg)	(kg)		(kg)	(m)	(kg)		(kg)	(m)
1.5	2	n.a.	150	360	2	186	1.0	360	2	186	1.0
3	3	2	165	540	3	186	0.5	540	3	186	0.5
4	2+2	2	205	720	4	186	0.5	720	4	186	1.0
5	2+3	3	225	840	5	170	0.5	920	5	186	1.0
6	3+3	4	240	800	6	140	0.5	1100	6	186	1.0
7	2+3+2	5	280	520	5	120	1.0	1150	7	186	1.0
8	3+2+3	6	295	480	5	120	1.0	1150	8	145	1.0
9	3+3+3	7	310	450	4	120	1.0	1100	9	130	1.0
10	3+2+2+3	8	350	410	4	120	1.0	825	9	120	1.0
11	3+3+2+3	9	370	390	3	120	1.0	730	8	120	1.0
12	3+3+3+3	9	385	360	3	120	1.5	640	7	120	1.5
13	3+2+2+3+3	10	425	330	3	120	1.5	590	6	120	1.5
14	3+3+2+3+3	10	440	310	2	120	2.0	540	5	120	2.0
15	3+3+3+3+3	11	455	300	2	120	2.0	530	5	120	2.0
16	3+3+2+2+3+3	12	495	280	2	120	2.0	500	5	120	2.0

**Remark:** Other numbers of cantilever and loadings on request.

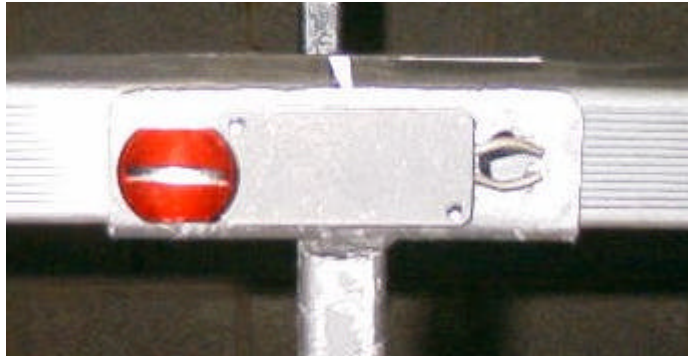
### Customized sections:

For special applications, special lengths of Modulo sections are available.  
For these platforms, the following restrictions apply:

- maximum section length available is the standard 3m section.
- a platform with end-stirrups should not be configured with more than 3 U-frames.
- a platform with walk-through stirrups should not be configured with more than 3 U-frames between the stirrups and not more than 1 U-frame on the cantilever section.
- a platform with either end-stirrups or walk-through stirrups, can be configured with up to two special sections only, and these can only be placed at each end of the platform.

Reference: 38860-01 / 38760-E	Issue date: 08-Jan-2002	Revision: C	Page: 6 of 11
----------------------------------	-------------------------	-------------	---------------

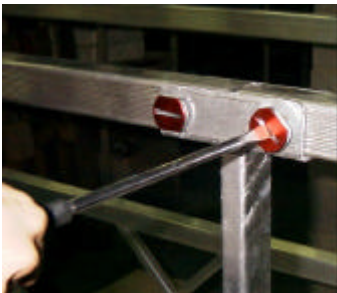
## SafeFix pin system



The patented SafeFix pin system is a one step “insert and snap” method to assemble MODULO® platform components. The slotted pin is fixed in place by a spring mounted on the stirrup or U-frame.

### Insertion:

- Line the pin up with the hole, so that the slot at the base of the pin is horizontal.
- Push the pin in from outside until the spring clicks in the grooves on the shaft of the pin. If required, rotate the pin till the slot is horizontal and the springs are in place.
- Make sure the pin is secured.



### Removal:

- Rotate the pin ¼ turn till the slot is vertical (and the springs are no longer in the grooves) and pull the pin out.

Note: The pin can be positioned with the use of a hammer and a screwdriver.

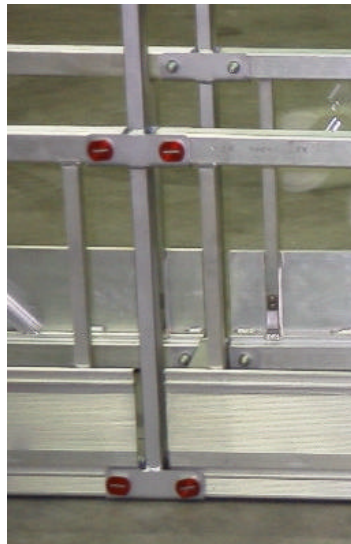
**ATTENTION:** Life span of springs: Springs have to be replaced when they no longer exert pressure on the grooves of the pin shaft.

Reference: 38860-01 / 38760-E	Issue date: 08-Jan-2002	Revision: C	Page: 7 of 11
----------------------------------	-------------------------	-------------	---------------

## Mounting

### 1) U-frames & side frames:

Begin assembly by mounting the side frames on the U-frames. Secure each side frame to the U-frame with 2 SafeFix pins.



### 2) End-stirrup

Mount the end-stirrup as shown, once all the U-frames and side frames are in place.



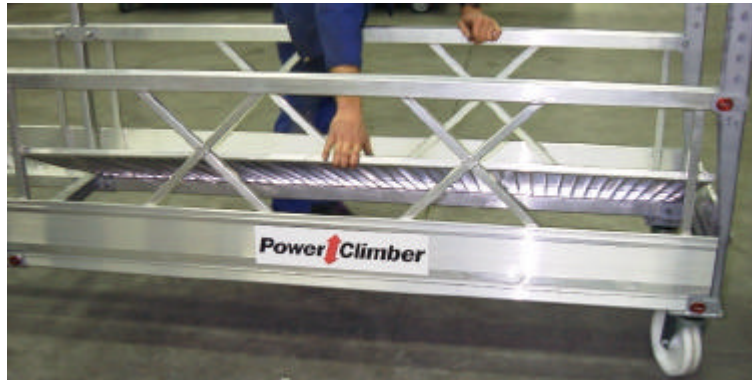
Reference: 38860-01 / 38760-E	Issue date: 08-Jan-2002	Revision: C	Page: 8 of 11
----------------------------------	-------------------------	-------------	---------------



## Mounting (cont.)

### 3) Floor

Put in floor (flat side up) as shown. (See picture below)



Check that all 4 retaining springs are in place.



### NOTE:

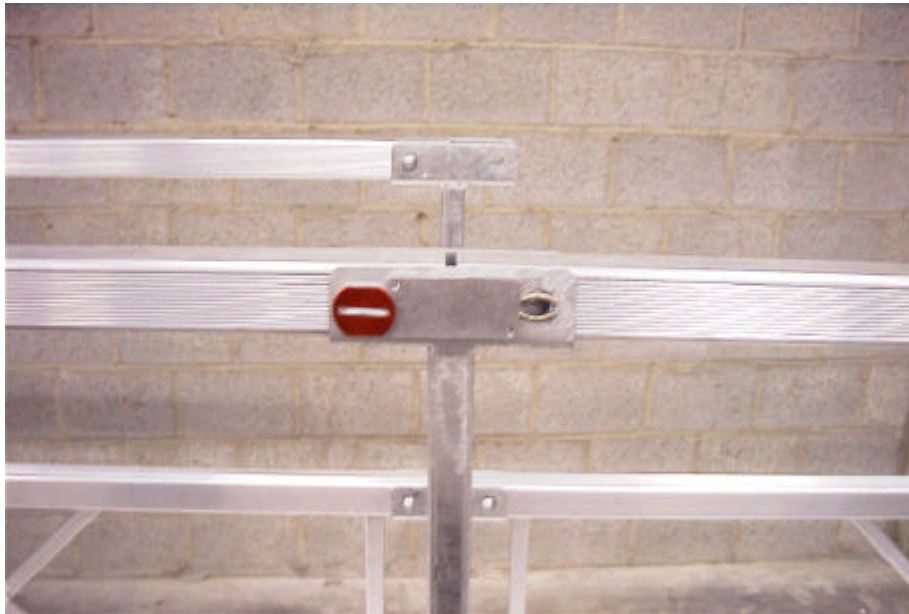
To remove floor, push on the spring and lift floor at the same time.

Reference: 38860-01 / 38760-E	Issue date: 08-Jan-2002	Revision: C	Page: 9 of 11
----------------------------------	-------------------------	-------------	---------------

## Mounting (cont.)

### 4) Guard rails

Mount guard rails, inserting a SafeFix pin in each end.



- Remarks:**
1. The guardrail has to be mounted if platform is used.
  2. Never stand on the guardrail or midrail while platform is in use.

### 5) Wall Rollers

Loosen screws to insert the wall rollers in the grooves of the side frame. The wall roller can be located anywhere along the length of the side frame as required. Use minimum 2 wall rollers and put them wide apart.



Reference: 38860-01 /  
38760-E

Issue date: 08-Jan-2002

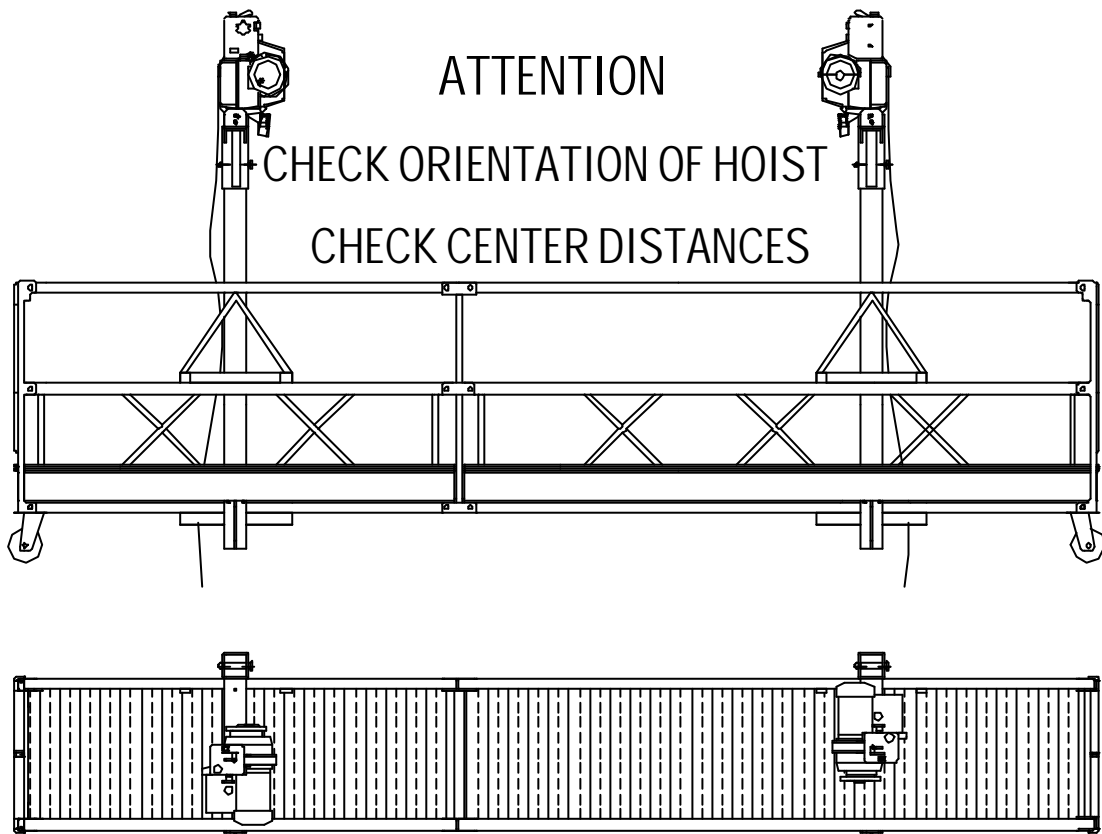
Revision: C

Page: 10 of 11

## Mounting (cont.)

### 6) Walk through stirrup

- Hang the mast over the midrail. Make sure that position is in line with the suspension points, otherwise the slackrope safety mechanism will not work properly.
- Fit the lower part into the mast and lock with the SafeFix pin.
- Fit the upper part at desired height and lock with second SafeFix pin.
- Mount the hoist and put the steel wire ropes in the rope guiders.
- When mounting the hoist check the orientation of the hoist. (see picture)
- Suspend minimum 6 kg on the suspension rope.
- Suspend minimum 12 kg on the safety rope.



Reference: 38860-01 /  
38760-E

Issue date: 08-Jan-2002

Revision: C

Page: 11 of 11